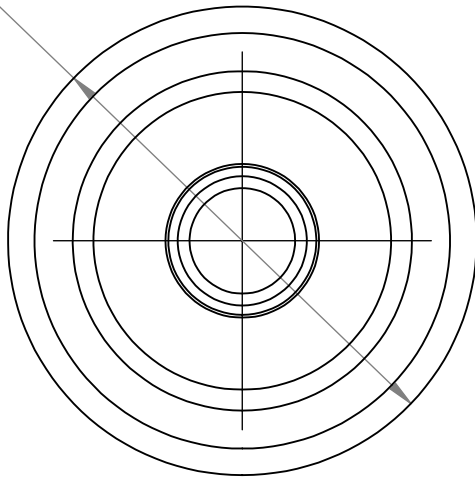


Ø 6.25



SECTION A-A

MATERIAL : BRASS CDA 260

MADE IN USA



PROPRIETARY AND CONFIDENTIAL
 THE INFORMATION CONTAINED IN THIS DRAWING IS THE SOLE PROPERTY OF <INSERT COMPANY NAME HERE>. ANY REPRODUCTION IN PART OR AS A WHOLE WITHOUT THE WRITTEN PERMISSION OF <INSERT COMPANY NAME HERE> IS PROHIBITED.

		UNLESS OTHERWISE SPECIFIED:	NAME	DATE	TITLE: 77SF-5 EYELET			
		DIMENSIONS ARE IN INCHES	DRAWN	crl			5.12.15	
		TOLERANCES: FRACTIONAL ± 0.15mm	CHECKED					
		ANGULAR: MACH ± BEND ±	ENG APPR.					
		TWO PLACE DECIMAL ±	MFG APPR.					
		THREE PLACE DECIMAL ±	Q.A.			SIZE	DWG. NO.	REV
		INTERPRET GEOMETRIC TOLERANCING PER:	COMMENTS:			A		A
		MATERIAL				SCALE: 10:1	WEIGHT:	SHEET 1 OF 1
		FINISH						
NEXT ASSY	USED ON	APPLICATION	DO NOT SCALE DRAWING					