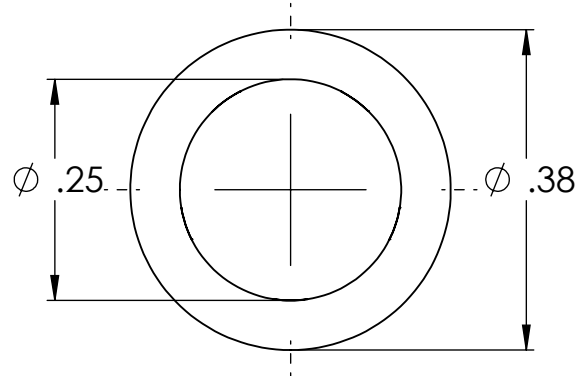
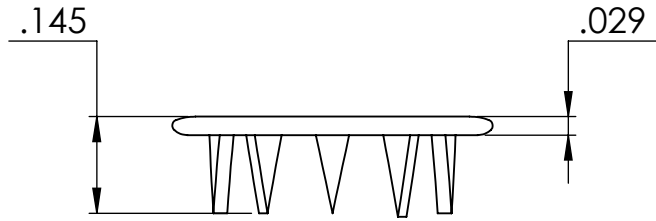


2

1

B

B



MATERIAL : BRASS



A

A

**PROPRIETARY AND CONFIDENTIAL**  
 THE INFORMATION CONTAINED IN THIS DRAWING IS THE SOLE PROPERTY OF <INSERT COMPANY NAME HERE>. ANY REPRODUCTION IN PART OR AS A WHOLE WITHOUT THE WRITTEN PERMISSION OF <INSERT COMPANY NAME HERE> IS PROHIBITED.

|             |         |                                      |           |             |
|-------------|---------|--------------------------------------|-----------|-------------|
|             |         | UNLESS OTHERWISE SPECIFIED:          | NAME      | DATE        |
|             |         | DIMENSIONS ARE IN INCHES             | DRAWN     | cr1 6.18.18 |
|             |         | TOLERANCES:                          | CHECKED   |             |
|             |         | FRACTIONAL $\pm$                     | ENG APPR. |             |
|             |         | ANGULAR: MACH $\pm$ BEND $\pm$       | MFG APPR. |             |
|             |         | TWO PLACE DECIMAL $\pm$              | Q.A.      |             |
|             |         | THREE PLACE DECIMAL $\pm$            | COMMENTS: |             |
|             |         | INTERPRET GEOMETRIC TOLERANCING PER: |           |             |
|             |         | MATERIAL                             |           |             |
| NEXT ASSY   | USED ON | FINISH                               |           |             |
| APPLICATION |         | DO NOT SCALE DRAWING                 |           |             |

TITLE:  
**69 PRONG RING**

|            |          |              |
|------------|----------|--------------|
| SIZE       | DWG. NO. | REV          |
| <b>A</b>   |          |              |
| SCALE: 5:1 | WEIGHT:  | SHEET 1 OF 1 |

2

1