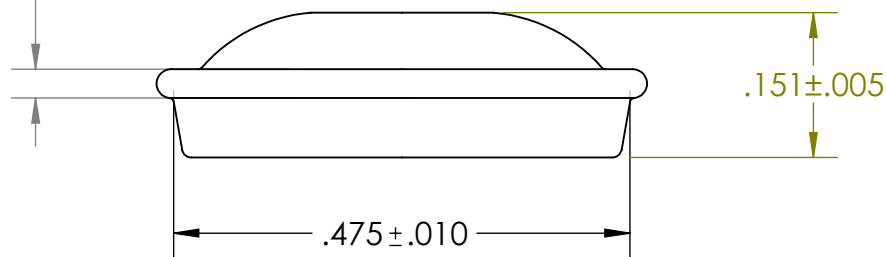


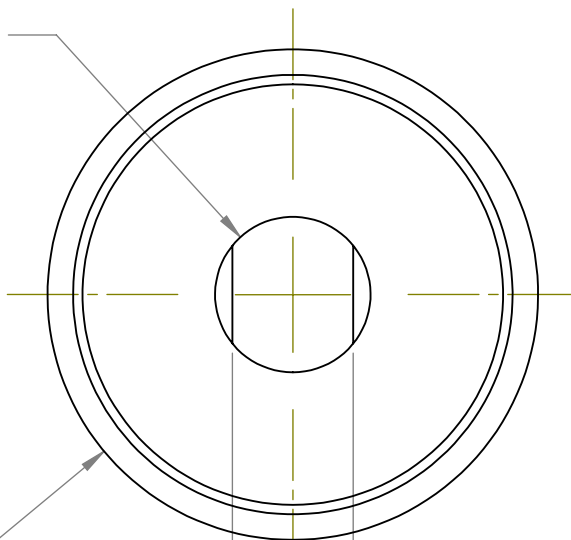
.030±.006



NOTE:

1) MATERIAL: BODY & CAP CDA 260 BRASS.
SPRING 300 SERIES S.S.

Ø .162±.005



Ø .548±.009

.131
.124 BETWEEN SPRINGS



PROPRIETARY AND CONFIDENTIAL
 THE INFORMATION CONTAINED IN THIS DRAWING IS THE SOLE PROPERTY OF <INSERT COMPANY NAME HERE>. ANY REPRODUCTION IN PART OR AS A WHOLE WITHOUT THE WRITTEN PERMISSION OF <INSERT COMPANY NAME HERE> IS PROHIBITED.

		UNLESS OTHERWISE SPECIFIED:		NAME	DATE
		DIMENSIONS ARE IN INCHES	DRAWN	crf	11/29/07
		TOLERANCES:	CHECKED		
		FRACTIONAL ±	ENG APPR.		
		ANGULAR: MACH ± BEND ±	MFG APPR.		
		TWO PLACE DECIMAL ±	Q.A.		
		THREE PLACE DECIMAL ±	COMMENTS:		
		INTERPRET GEOMETRIC TOLERANCING PER:			
		MATERIAL			
NEXT ASSY	USED ON	FINISH			
APPLICATION		DO NOT SCALE DRAWING			

TITLE:
SNAP - SPRING, MED SOCKET

SIZE	DWG. NO.	REV
A	17 SOCKET	

SCALE: 5:1	WEIGHT:	SHEET 1 OF 1
------------	---------	--------------