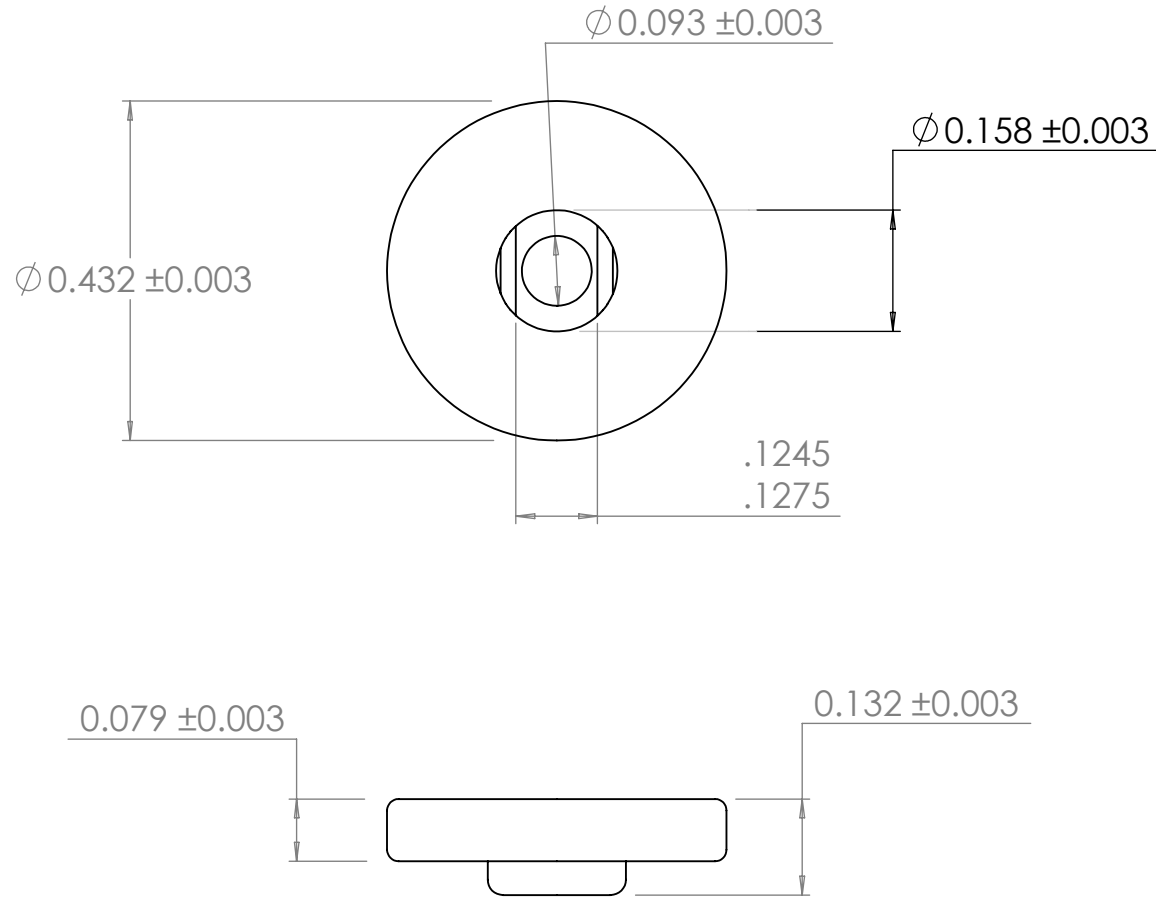


THE INFORMATION CONTAINED IN THIS DRAWING IS THE SOLE PROPERTY OF ROME FASTENER CORPORATION ANY REPRODUCTION IN PART OR WHOLE WITHOUT THE WRITTEN PERMISSION OF ROME FASTENER CORPORATION IS PROHIBITED.



NOTES:

MATERIAL : BRASS

SPRING - .0175+/- .001 SST STEEL

FINISH: PER CUSTOMER SPECIFICATION



		UNLESS OTHERWISE SPECIFIED DIMENSIONS ARE IN INCHES TOLERANCES ARE: FRACTIONS DECIMALS ANGLES +/- 1/32 .XX+/- .03 +/- 2 .XXX+/- .005		CAD GENERATED DRAWING, DO NOT MANUALLY UPDATE				
		MATERIAL BRASS		APPROVALS	DATE	16EZ-73 SOCKET		
		FINISH --		DRAWN <b>crl</b>	4.22.13			
		NEXT ASSY USED ON		CHECKED				
		APPLICATION		RESP ENG				
		DO NOT SCALE DRAWING		MFG ENG		SIZE A	DWG. NO.	REV.
				QUAL ENG		SCALE	CAD FILE:	SHEET OF